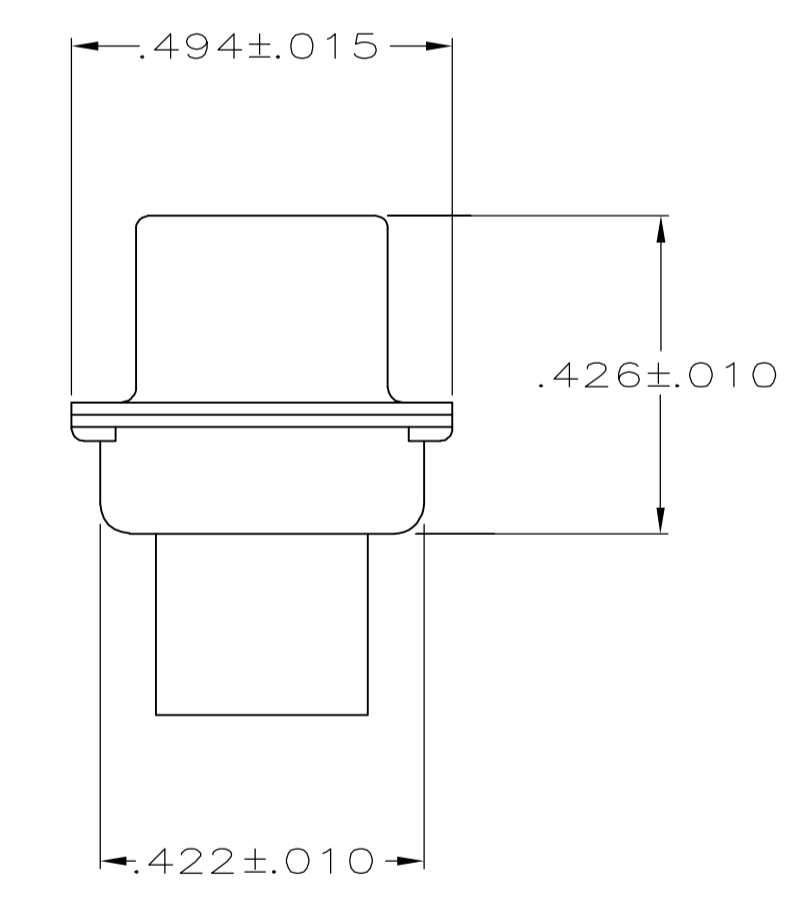
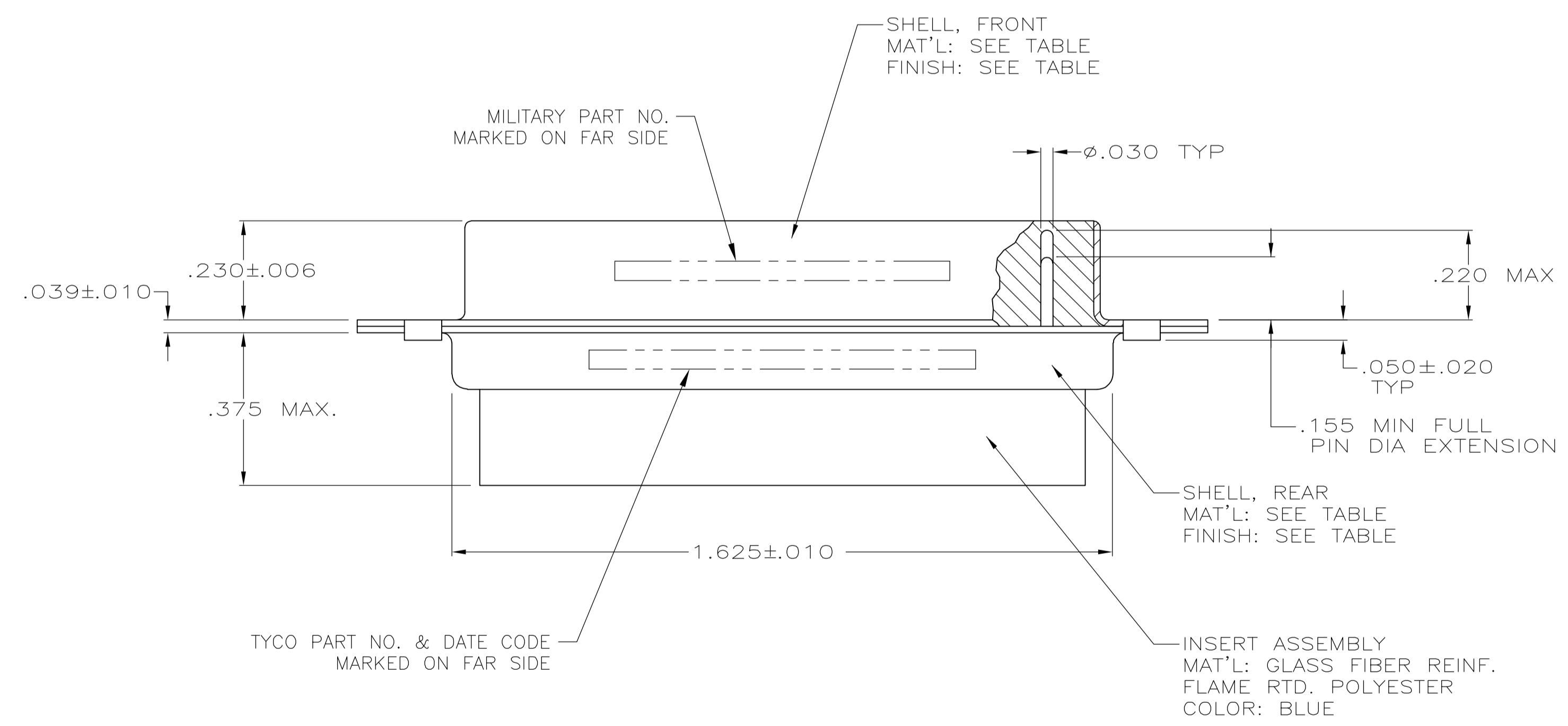
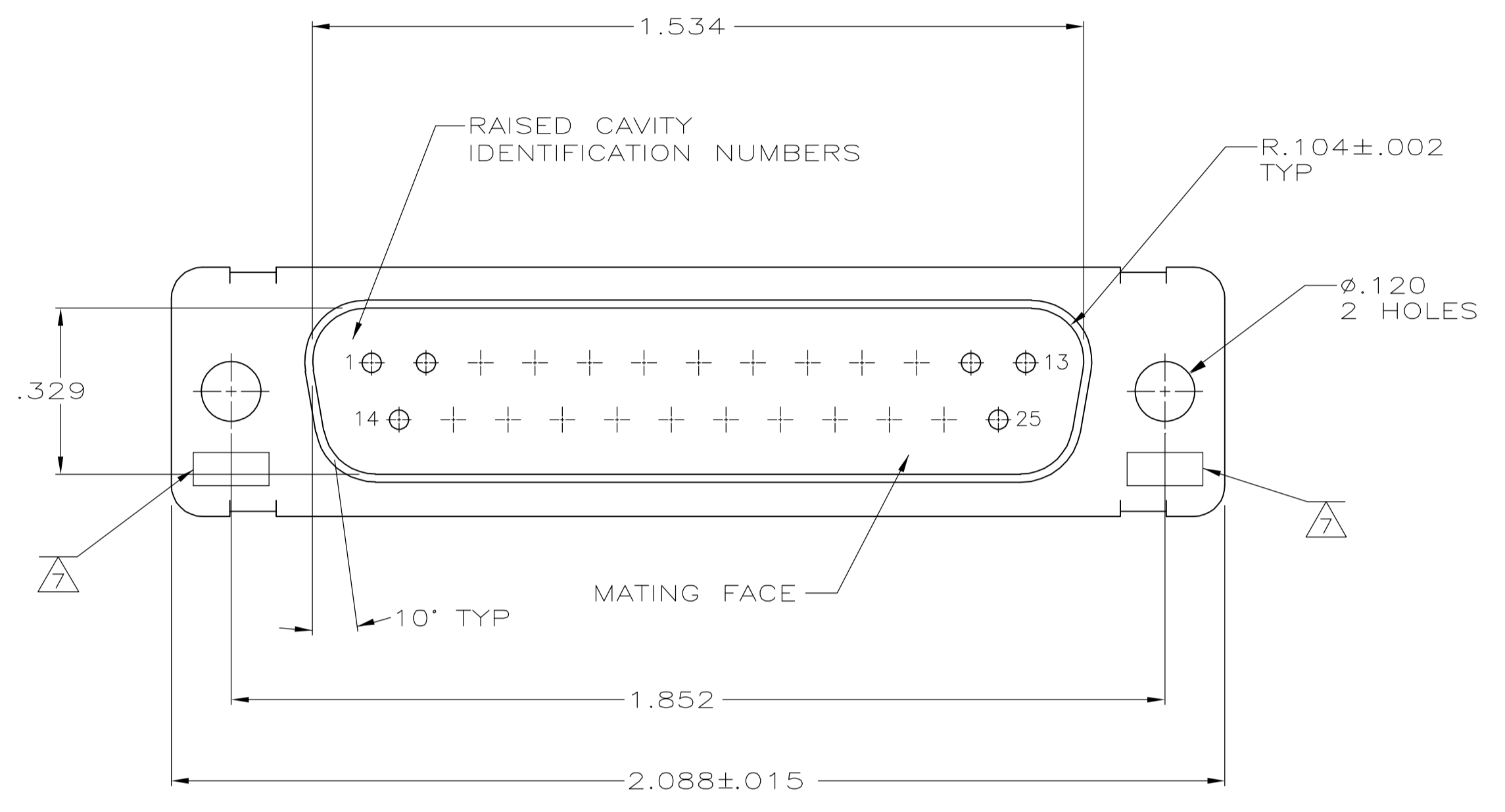


LOC	DIST	REVISIONS			
P	LTR	DESCRIPTION	DATE	OWN	APVD
M		REV PER ECO 05-06315	8-2-05	CT	DM

- THIS PLUG IS DESIGNED TO CONFORM TO THE LATEST ISSUE OF MIL-C-24308.
- MAXIMUM WIRE INSULATION TO BE USED WITH THIS PLUG IS  $\phi.068$ .
- STAINLESS STEEL RETENTION CLIPS ARE INCLUDED IN INSERTS.
- ~~PACKAGE STAMPED M 24308/4 261F.~~
- THIS PLUG WILL ACCEPT SIZE 20 PIN CONTACT M39029/64-369 OR ANY TYCO HD-20 PIN CONTACT.
- TYCO PART NO. STAMPED ON CONNECTOR REPRESENTS KIT NUMBER WITH CONTACTS.
- UL/CSA DESIGNATION STAMPED IN THIS AREA.
- ~~TYCO, 205560-2, & DATE CODE INK STAMPED, FAR SIDE.~~
- ~~TYCO, 205166-4 INK STAMPED, FAR SIDE.~~
- FINISH: BRIGHT TIN PER ASTM-B-545 .000400-.000550 THK OVER COPPER PER AMS2418 .000500 MIN THK.
- FRONT SHELL HAS GROUNDING INDENTS, 205166-4 ONLY, (NOT SHOWN).
- ~~M24308/4 F INK STAMPED, FAR SIDE.~~



-	-	-	205166-5	$\Delta 10$	STEEL, CLASS G	205166-5
$\Delta 11$	-	-	205166-4	$\Delta 10$	STEEL, CLASS G	205166-4
-	-	-	-	CADMIUM PER QQ-P-416	BRASS	205166-2
$\Delta 6$	M24308/4-261F	M24308/4-3F	205560-2	CADMIUM PER QQ-P-416	STEEL, CLASS G	205166-1
REMARKS	MILITARY PART NO. MARKED ON PACKAGE	MILITARY PART NO. MARKED ON CONNECTOR	TYCO PART NO. MARKED ON CONNECTOR	FINISH	SHELL MATERIAL	PART NO.

SUPSD BY 206800-2

THIS DRAWING IS A CONTROLLED DOCUMENT. DWN: C.C.THOMAS 08-DEC-87  
 OK: F.C.BALLEW 10-DEC-87  
 APD: F.C.BALLEW 10-DEC-87

**AMP** Tyco Electronics Corporation  
 Harrisburg, Pa 17105-3608

NAME: AMPLIMITE PLUG FOR PIN CONTACTS  
 HI-DENSITY HD-20 CONNECTOR  
 SIZE 3 (25 POSN) SERIES 109

PRODUCT SPEC: -  
 APPLICATION SPEC: -

SIZE: A1 CAGE CODE: 00779 DRAWING NO: 205166 RESTRICTED TO: -  
 WEIGHT: -  
 CUSTOMER DRAWING SCALE: 4:1 SHEET: 1 OF 1 REV: M